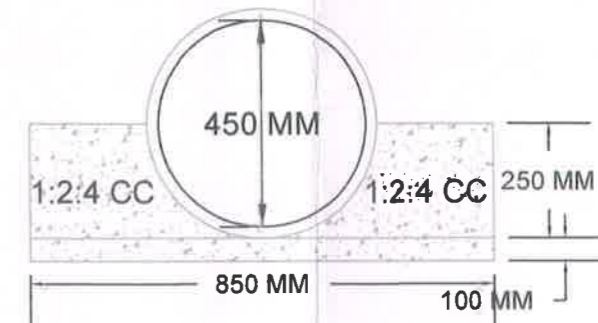


**NOTE:-**

1. THESE DRAWINGS ARE TENTATIVE ONLY.
2. DIMENSIONS SHOWN ARE IN MM, UNLESS OTHERWISE SPECIFIED.
3. ALL DEMENSIONS ARE TENTIVE AND SUBJECTED TO ACTUAL REQUIRMENT AT SITE.
4. DIMENSIONS ARE NOT TO SCALE.
5. EXISTING IR/RAILTEL /DFCCIL /SIGNALLING & TELECOM CABLE SHALL BE PROTECTED DURING EXECUTION OF WORK.
6. THE WORK SHOULD BE CARIED OUT AS PER SPECIFICATION MENTIONED IN BID DOCUMENTS/INDIAN RAILWAY UNIFIED STANDARD SPECIFICATION (WORK AND MATERIAL )2010 AMENDED UP TO DATE/MINISTRY OF ROAD TRANSPORT & HIGHWAY (MORTH )SPECIFICATION /AS PER DIRECTION OF ENGINEER IN-CHARGE.



DETAILS OF BASE OF LAYING NP-3/450 MM DIA.

**PROJECT**

**DEDICATED FREIGHT CORRIDOR - EASTERN  
CORRIDOR BHAUPUR TO KHURJA**

**TITLE:-**

**SECTION OF BITUMEN ROAD FOR SLICES 101,102,103  
IN DIFFERENT CHAINAGES.**

**Drg. No. DFCCIL/APL-1/ROAD SECTION(BIT)/2**

*[Signature]*  
**CGM/TDL**

*[Signature]*  
**GM/CIVIL/TDL**

*[Signature]*  
**DPM/CO./TDL**