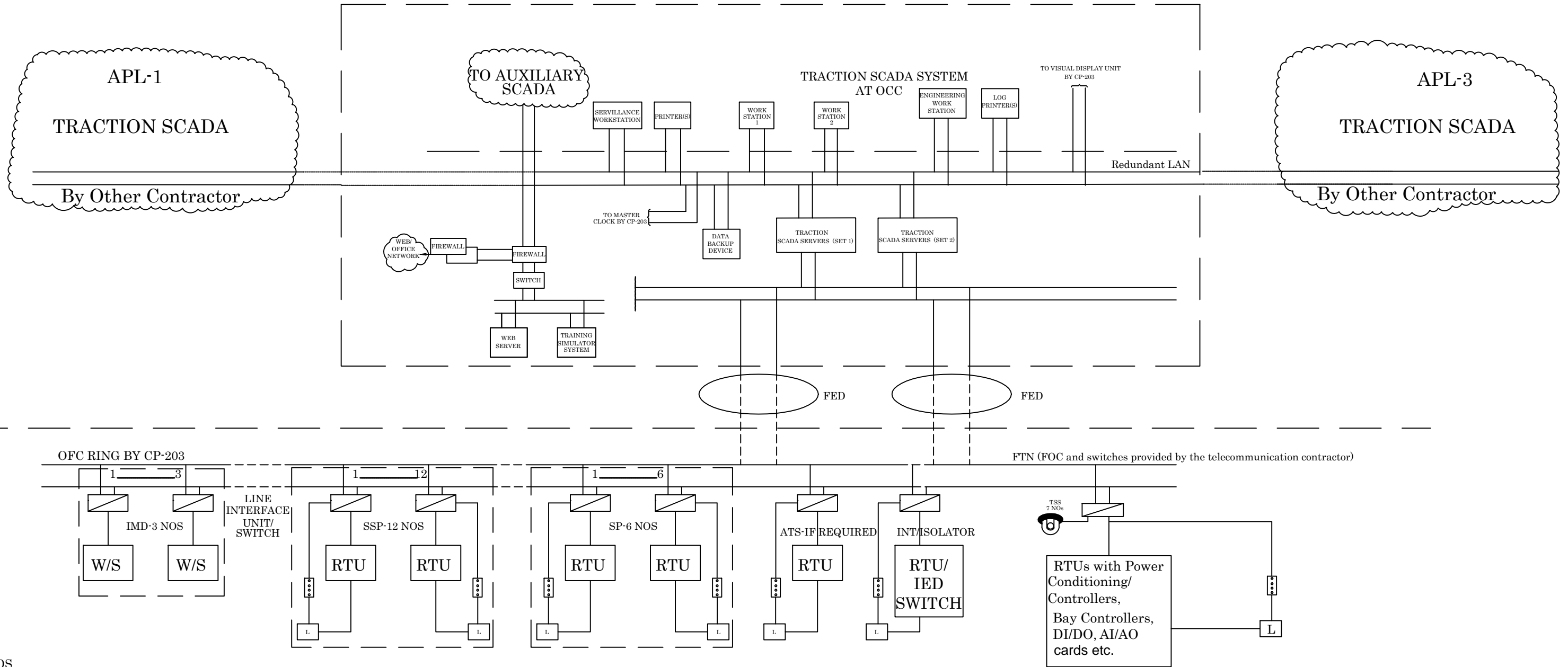


OCC ARRANGEMENT APL-2



LEGENDS

- Communication Line Interface required for connecting SCADA Equipment with OFC ring/Switch
- L** - FAULT FACTOR
- MODEM

NOTES:-
 1.The drawing is indicative and shall be read in conjunction with the employer's requirement including Volume 2:PS for Electric Traction and associated works .

SCALE	REV.	DISCRIPTION	DRN.	CHD.	VER.	DATE	OWNER	TITLE	PROJECT	
NTS	00		K.R.	A.D.	S.S.	08-04-2015	 DFCC डेडीकेटेड फ्रेट कोरीडोर	DEDICATED FREIGHT CORRIDOR CORPORATION OF INDIA LTD.	(INDICATIVE) GENERAL ARRANGEMENT BLOCK DIAGRAM FOR TRACTION SCADA CONTROL	CONSTRUCTION OF EASTERN DEDICATED FREIGHT CORRIDOR SECTION BETWEEN MUGHAL SARAI (CH: 119550) TO NEW BHAUPUR STATION (CH: 507693.777)
DRG NO.	01		K.R.	A.D.	S.S.	01-06-2015				
GC/DFCC/TR/SCADA/701										