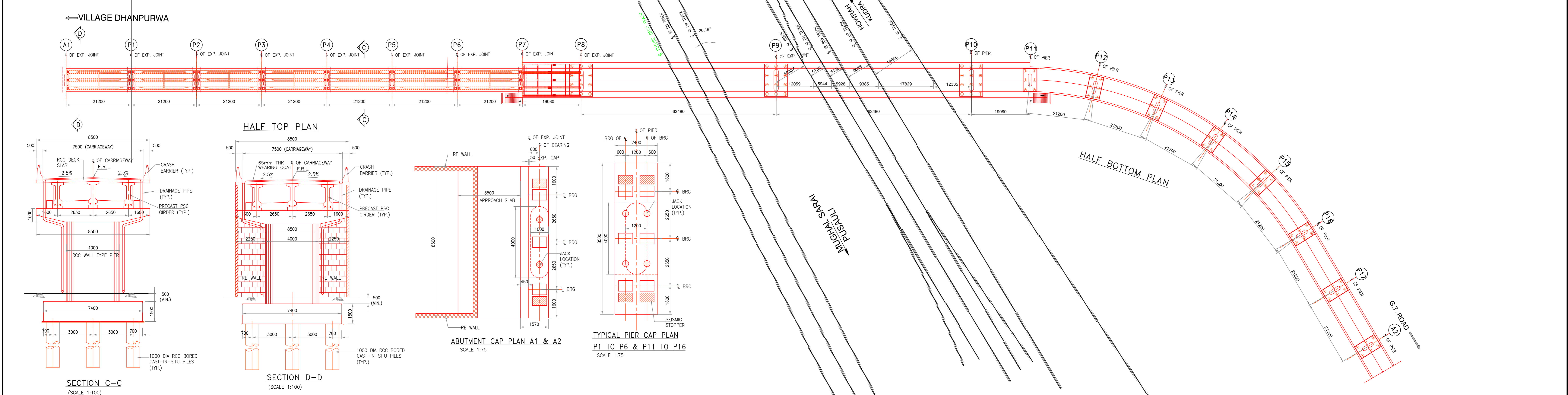


SECTIONAL ELEVATION OF OBLIGATORY & VIADUCT SPANS

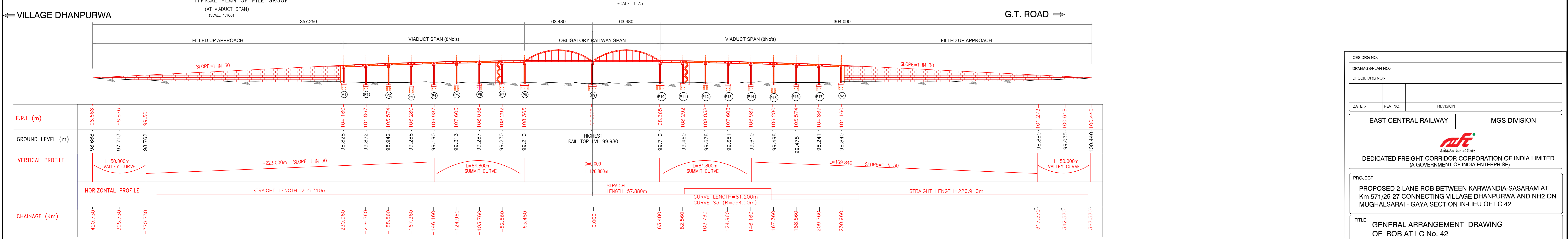
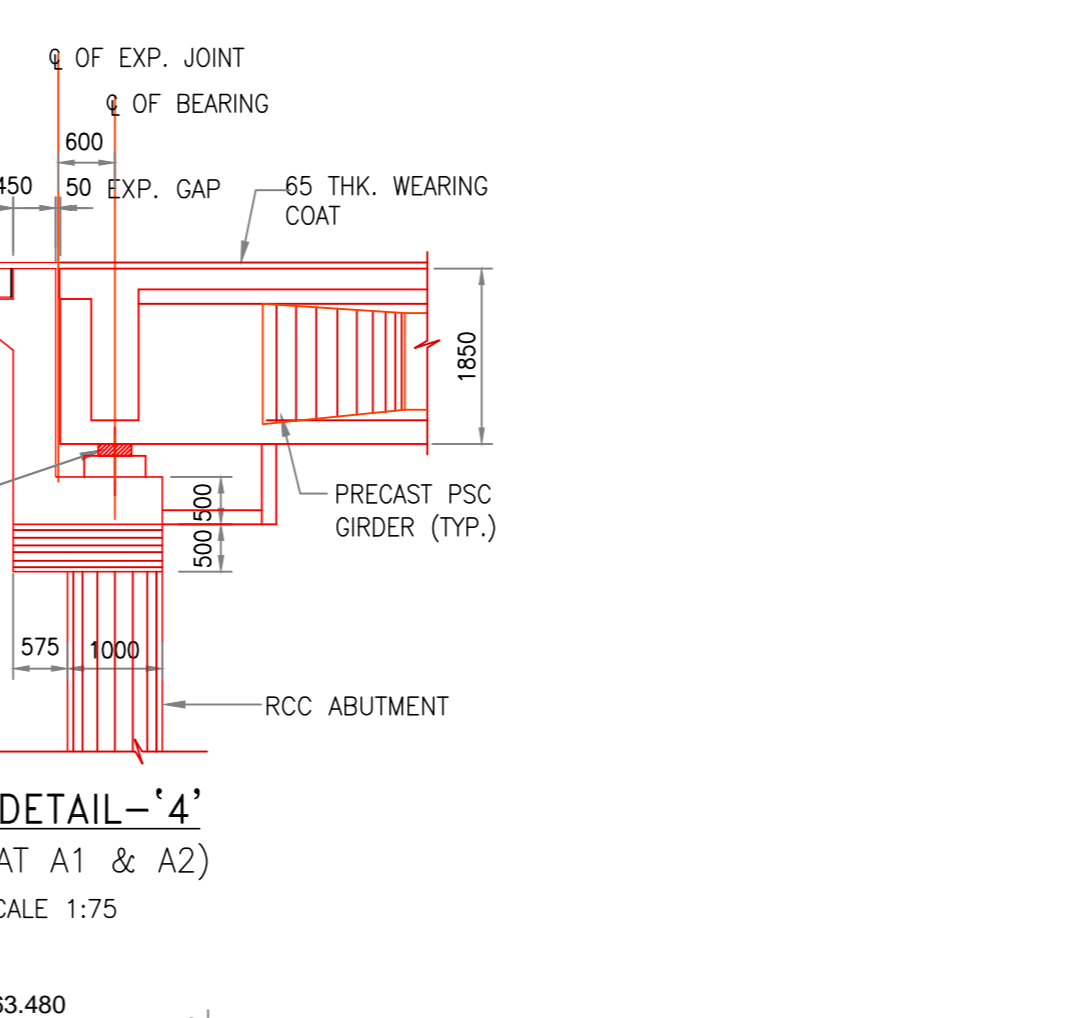
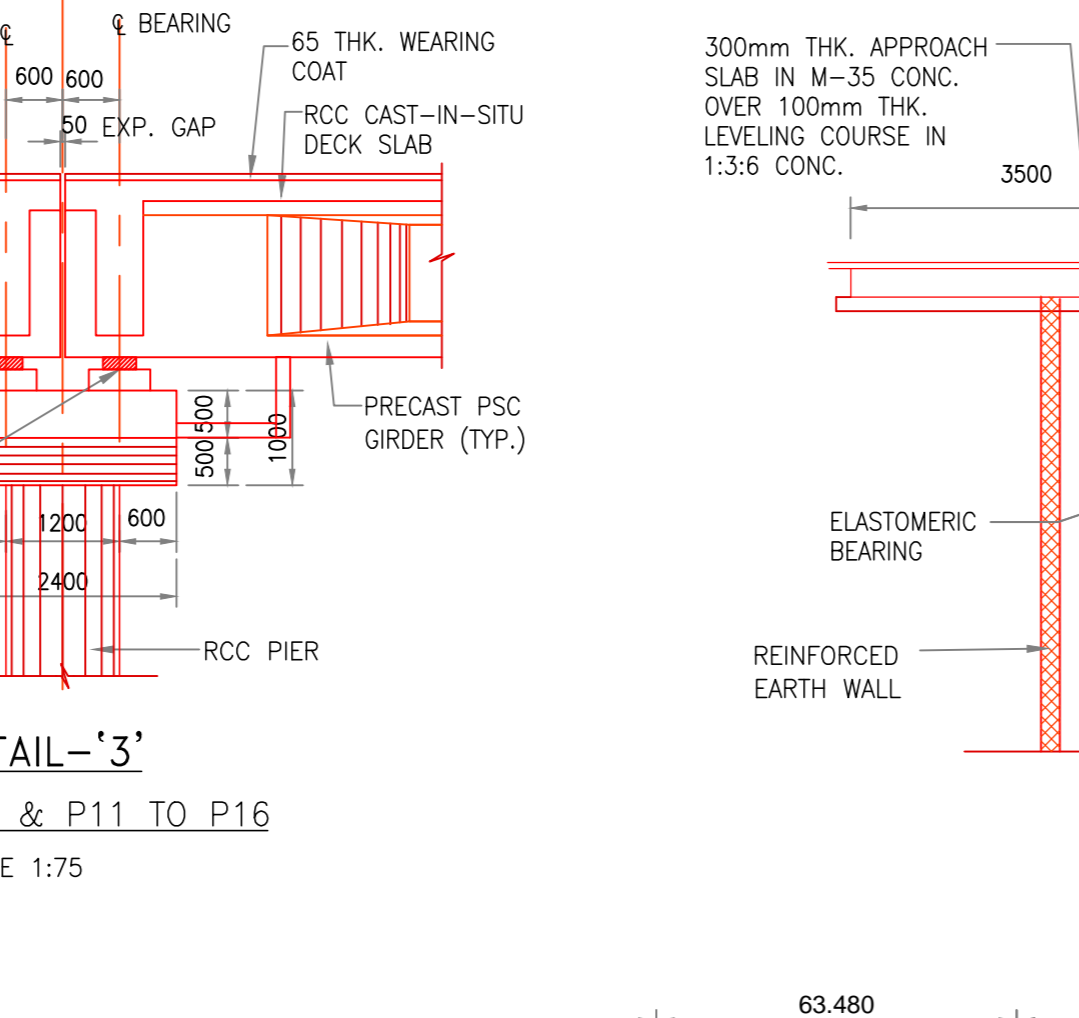
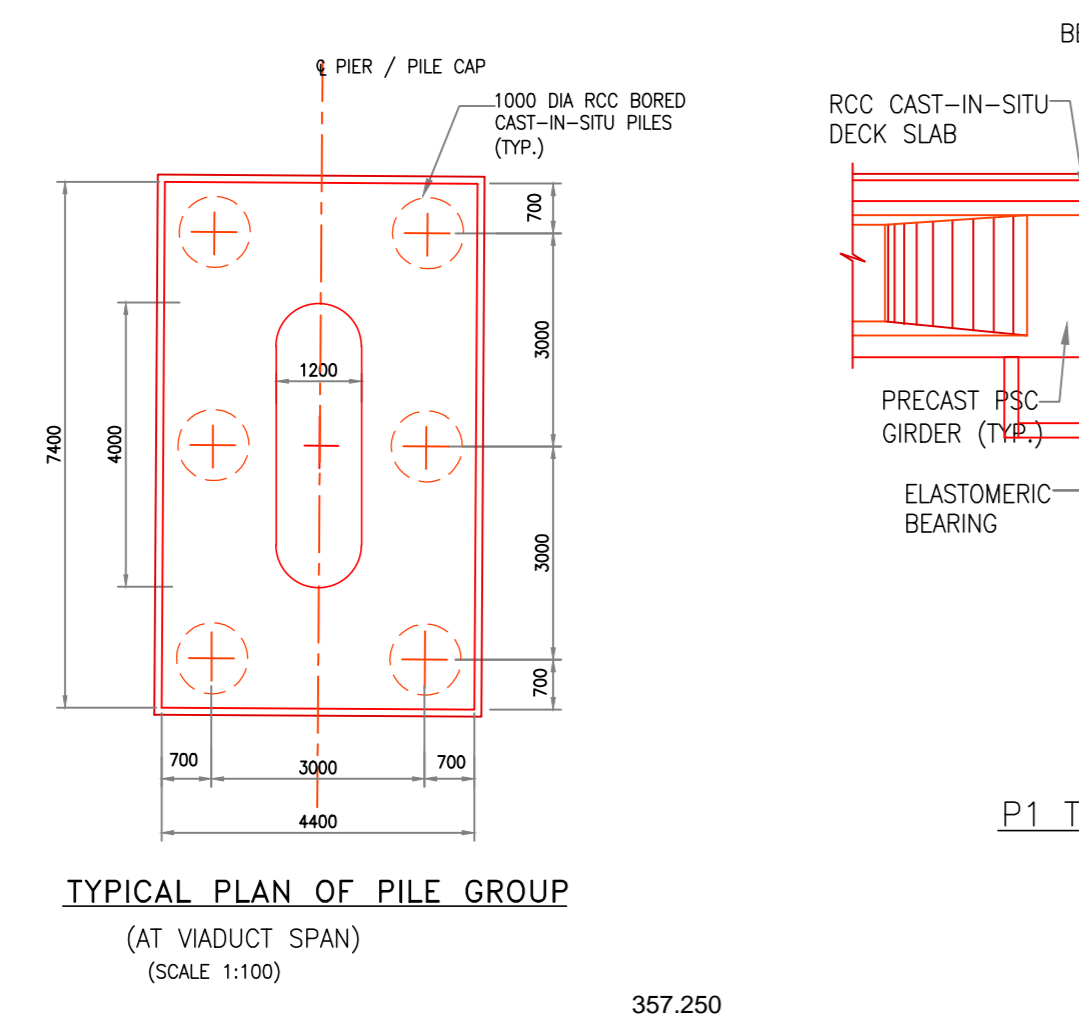
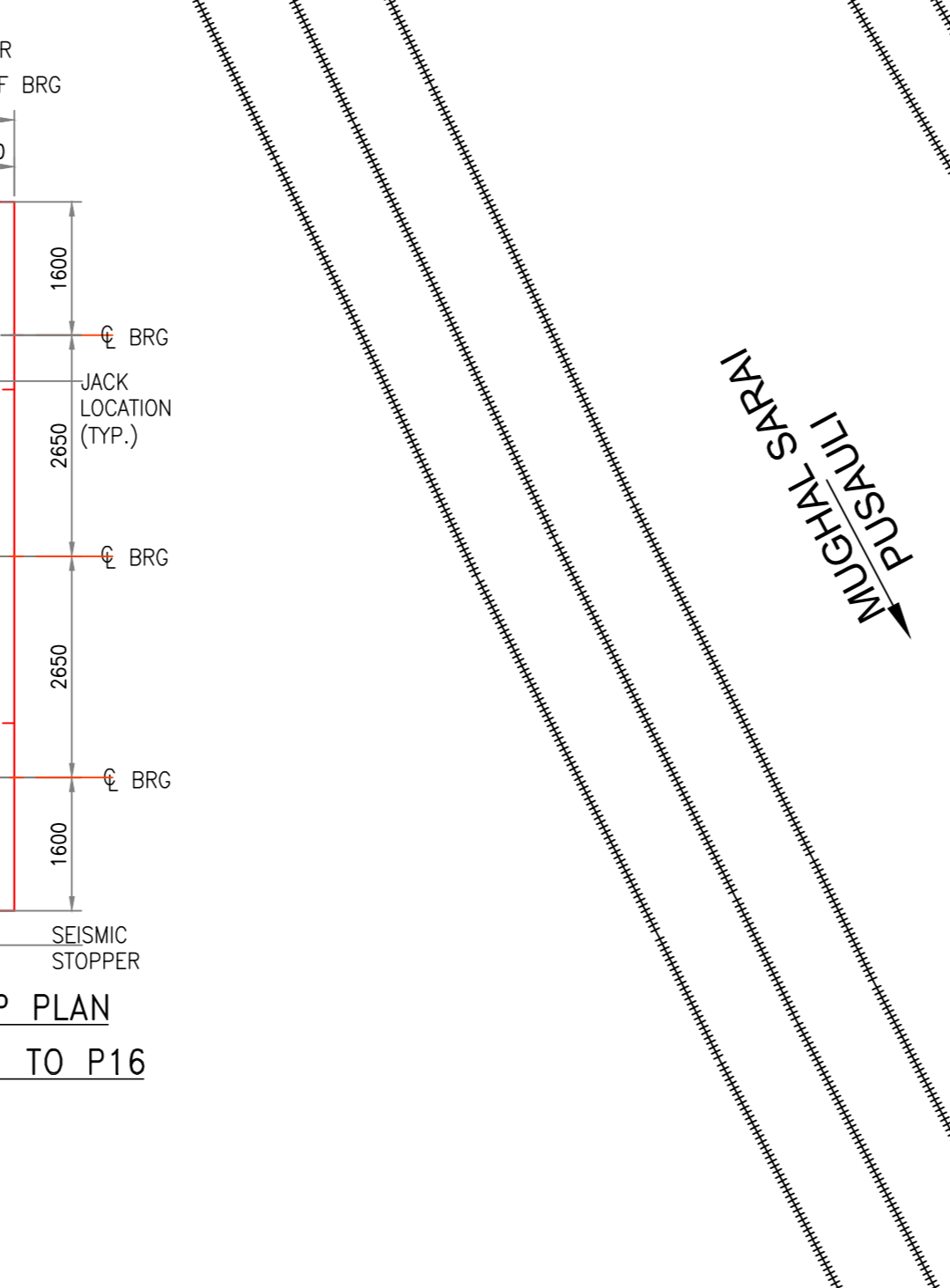
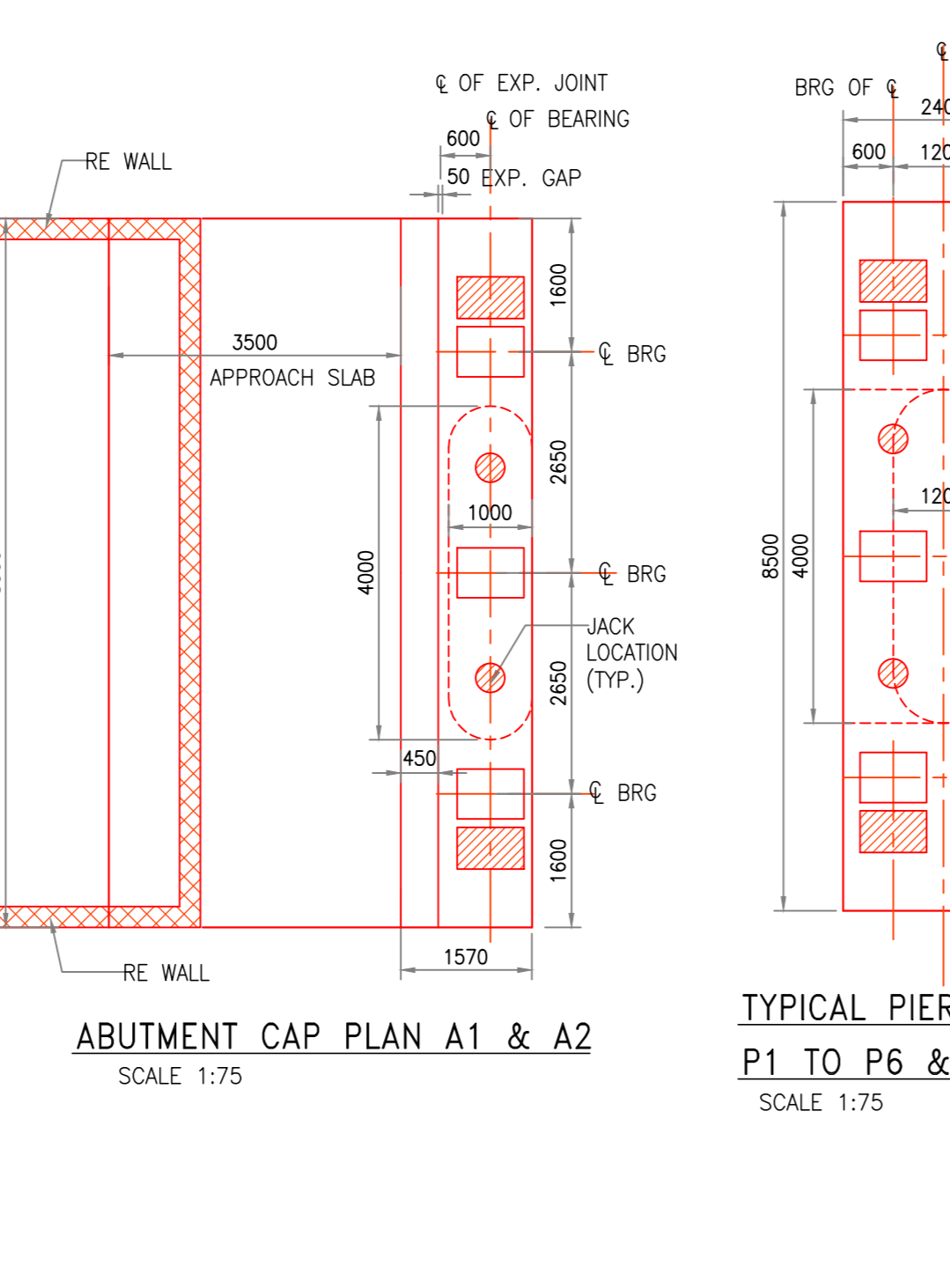
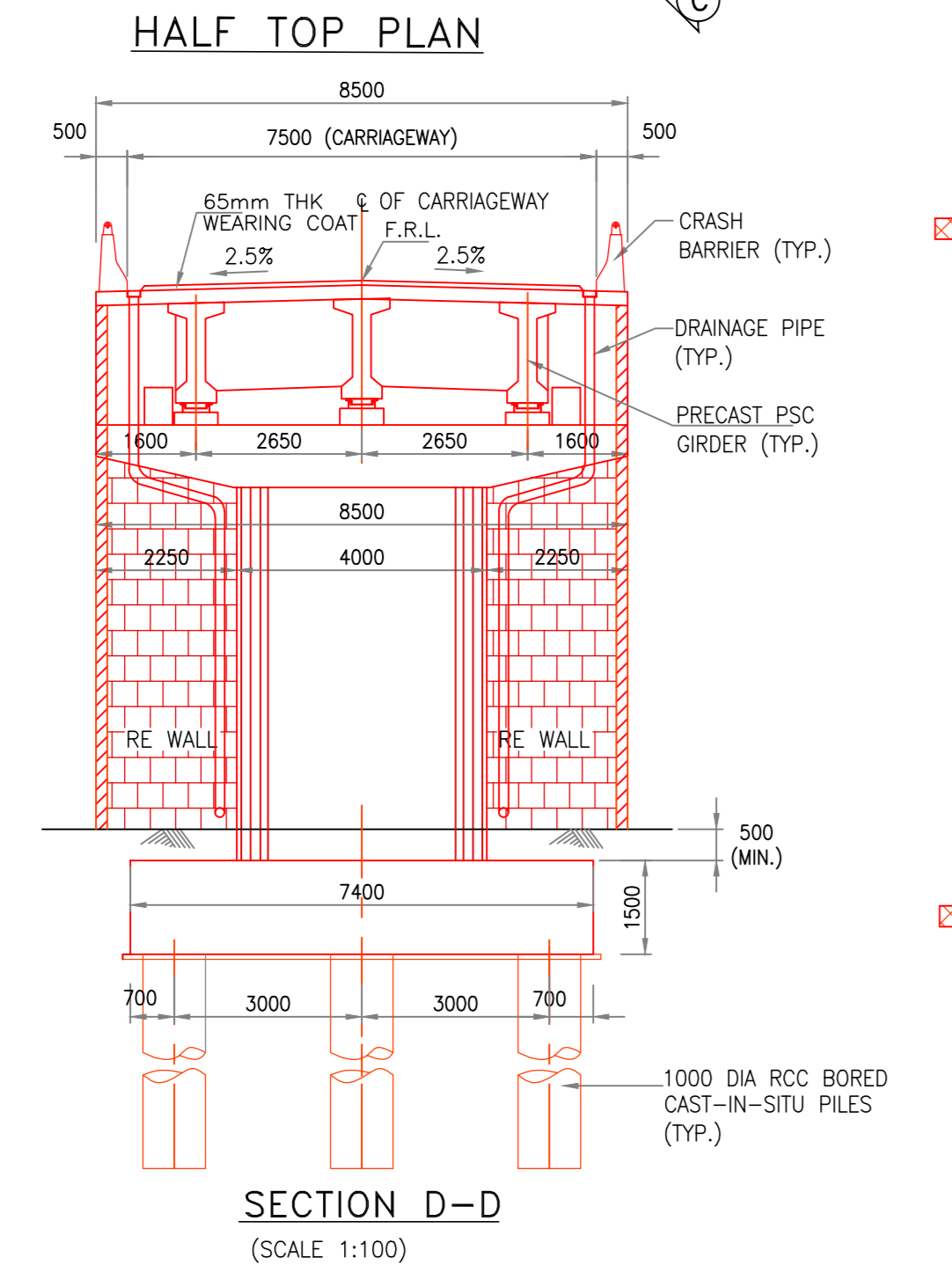
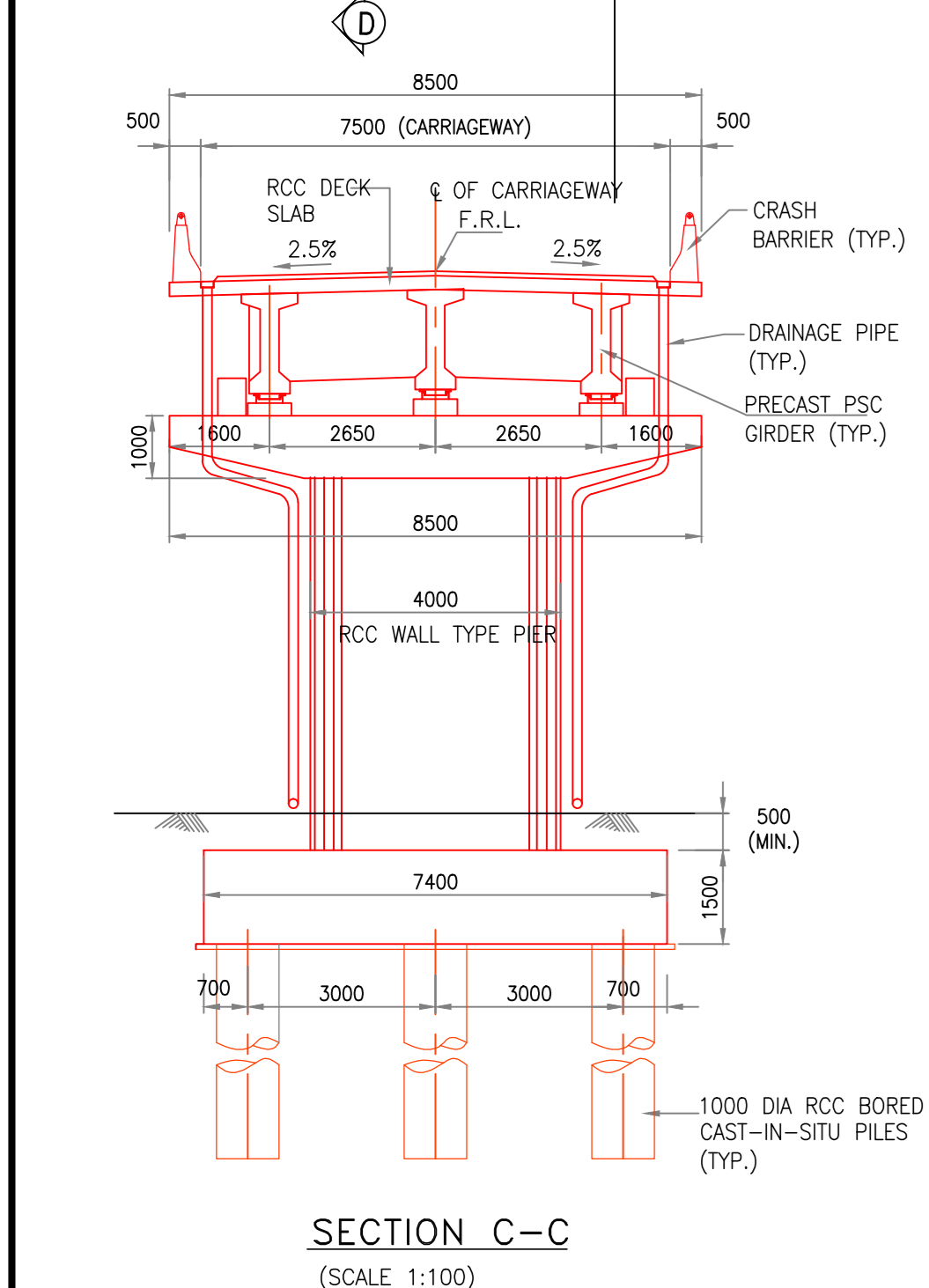


HALF TOP PLAN

HALF BOTTOM PLAN

ABUTMENT CAP PLAN A1 & A2

TYPICAL PIER CAP PLAN P1 TO P6 & P11 TO P16



LONGITUDINAL ELEVATION INCLUDING FILLED UP PORTION

CHAINAGE (Km)	F.R.L (m)	GROUND LEVEL (m)	VERTICAL PROFILE	HORIZONTAL PROFILE
-420.730	98.668	98.668	L=50.000m VALLEY CURVE	STRAIGHT LENGTH=205.310m
-395.730	98.876	97.713		
-370.730	99.501	98.702		
-230.860	104.160	98.828	L=223.000m SLOPE=1 IN 30	STRAIGHT LENGTH=57.880m
-209.760	104.897	99.872		
-188.560	105.574	98.942		
-167.360	106.290	99.288	L=84.900m SUMMIT CURVE	CURVE LENGTH=81.200m CURVE S3 (R=594.50m)
-146.160	106.997	99.190		
-124.960	107.603	99.313		
-103.760	108.038	99.287	L=84.900m SUMMIT CURVE	STRAIGHT LENGTH=226.910m
-82.560	108.292	99.230		
-61.360	108.365	99.210		
0.000	106.957	99.710	L=50.000m VALLEY CURVE	
63.480	106.957	99.440		
82.560	106.290	99.440		
103.760	106.038	99.678		
124.960	107.603	99.651		
146.160	106.957	99.610		
167.360	106.290	99.488		
188.560	105.574	99.475		
209.760	104.897	98.241		
230.860	104.160	98.840		
317.570	101.273	98.880		
342.570	100.648	99.035		
367.570	100.440	100.440		

CES DRG NO-		DRM MGS PLAN NO-		DFCCIL DRG NO-	
DATE	REV. NO.	REVISION			
EAST CENTRAL RAILWAY			MGS DIVISION		
DEDICATED FREIGHT CORRIDOR CORPORATION OF INDIA LIMITED (A GOVERNMENT OF INDIA ENTERPRISE)					
PROJECT :					
PROPOSED 2-LANE ROB BETWEEN KARWANDIA-SASARAM AT Km 571/25-27 CONNECTING VILLAGE DHANPURWA AND NH2 ON MUGHALSARAI - GAYA SECTION IN-LIEU OF LC 42					
TITLE :					
GENERAL ARRANGEMENT DRAWING OF ROB AT LC No. 42					
DEALT BY: A.K.GUPTA	DATE: 18.05.18	DRG. NO. PPC/DFCC/ROB/LC 55 GAD/01 (Sheet 2 Of 2)	REV.		
DRAWN BY: A.S.RAWAT	SCALE: AS SHOWN		RO		
CONSULTANTS :					
PARK PROJECTS CONSULTANCY PVT.LTD. NEW DELHI					

DESIGNATION	SIGNATURE	DESIGNATION	SIGNATURE
A.K. MEHRA CPM/DFCCIL		CE RWD PATNA	
PRANSHU SINGH DY CPM/ENGG/DFCCIL		EXECUTIVE ENGINEER (RWD-1 WORK DIVISION SASARAM)	
APM/DFCCIL		SUPERINTENDING ENGINEER (RWD-1 WORK DIVISION SASARAM)	
SBE/WDOS		STATE GOVT. BIHAR	
SRA/DEL/DOS		STATE GOVT. BIHAR	
		MGS DIVISION	
		HQ ECR H/JP	