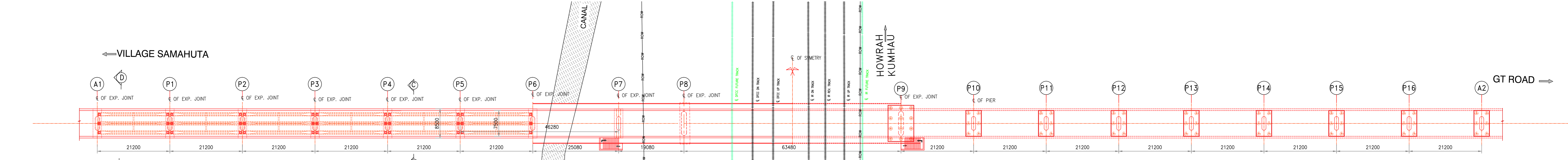
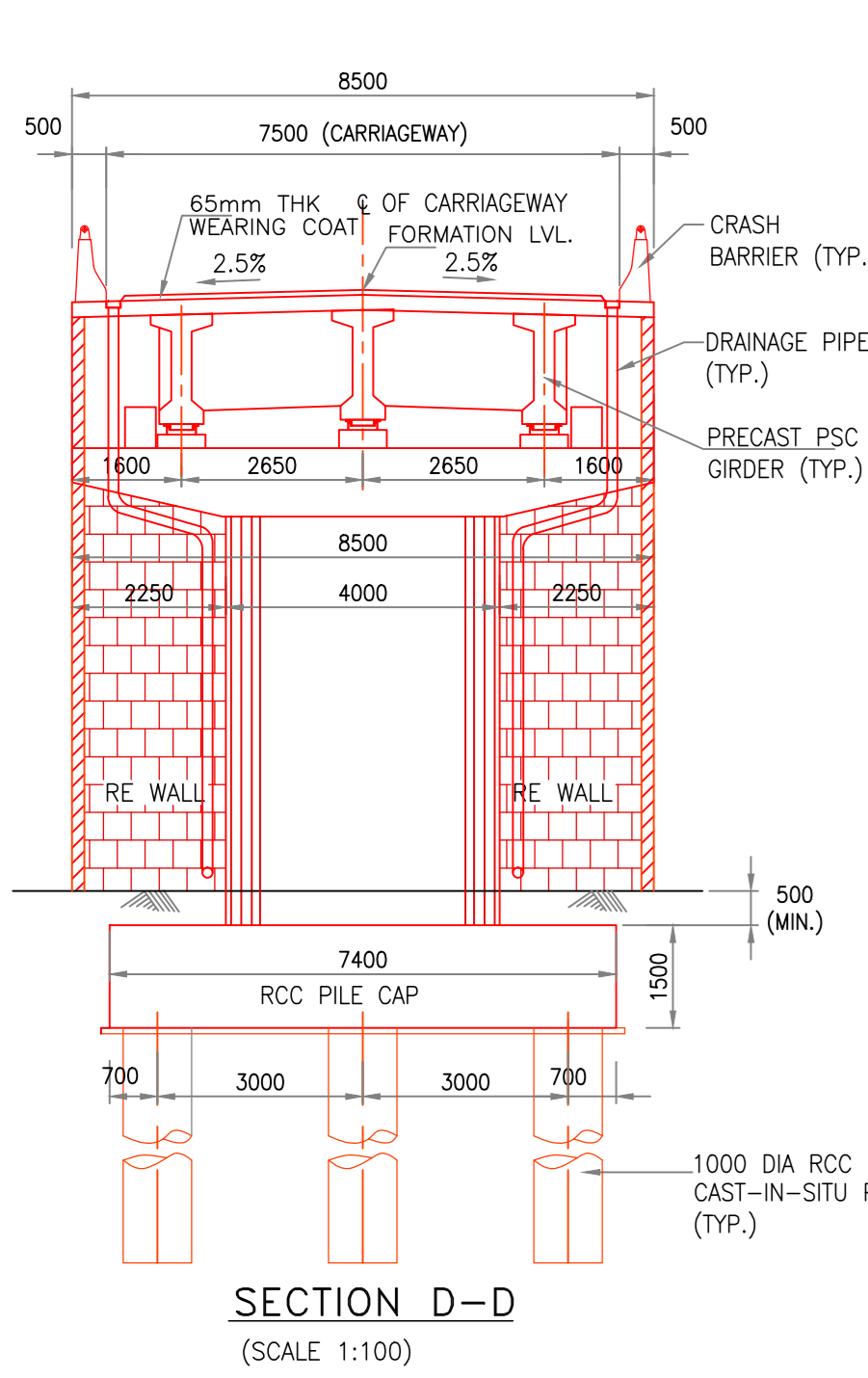


SECTIONAL ELEVATION OF OBLIGATORY & VIADUCT SPANS

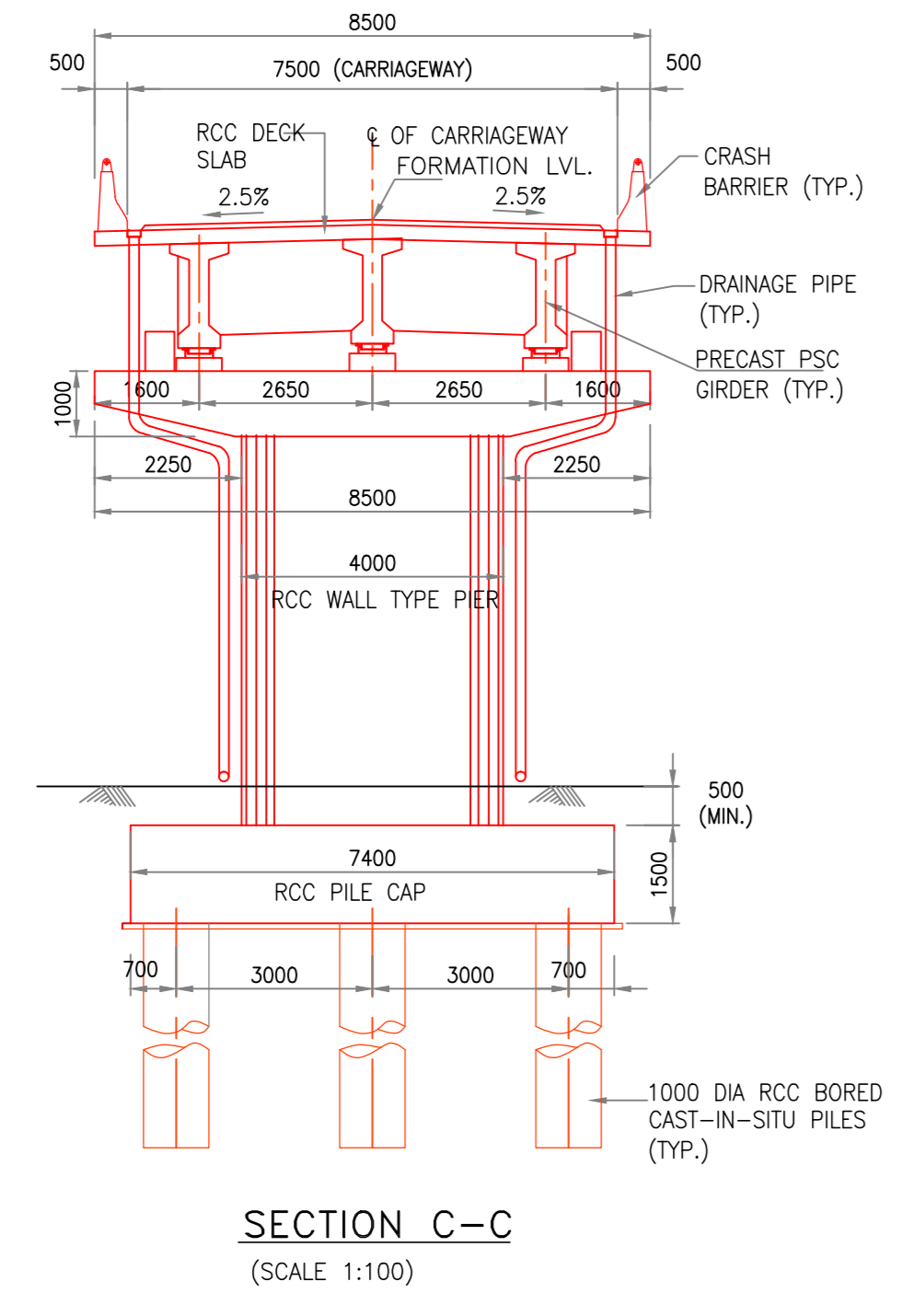


HALF TOP PLAN

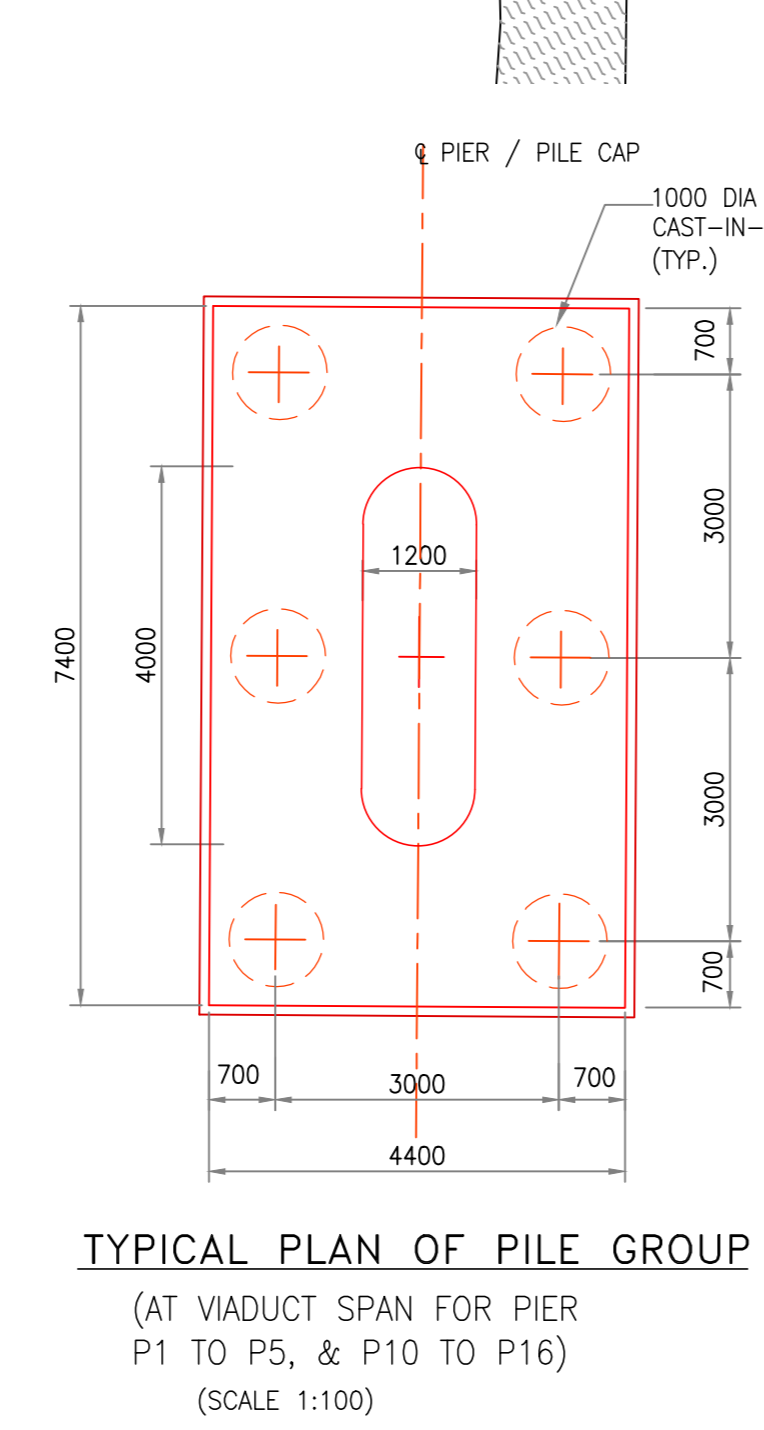
HALF BOTTOM PLAN



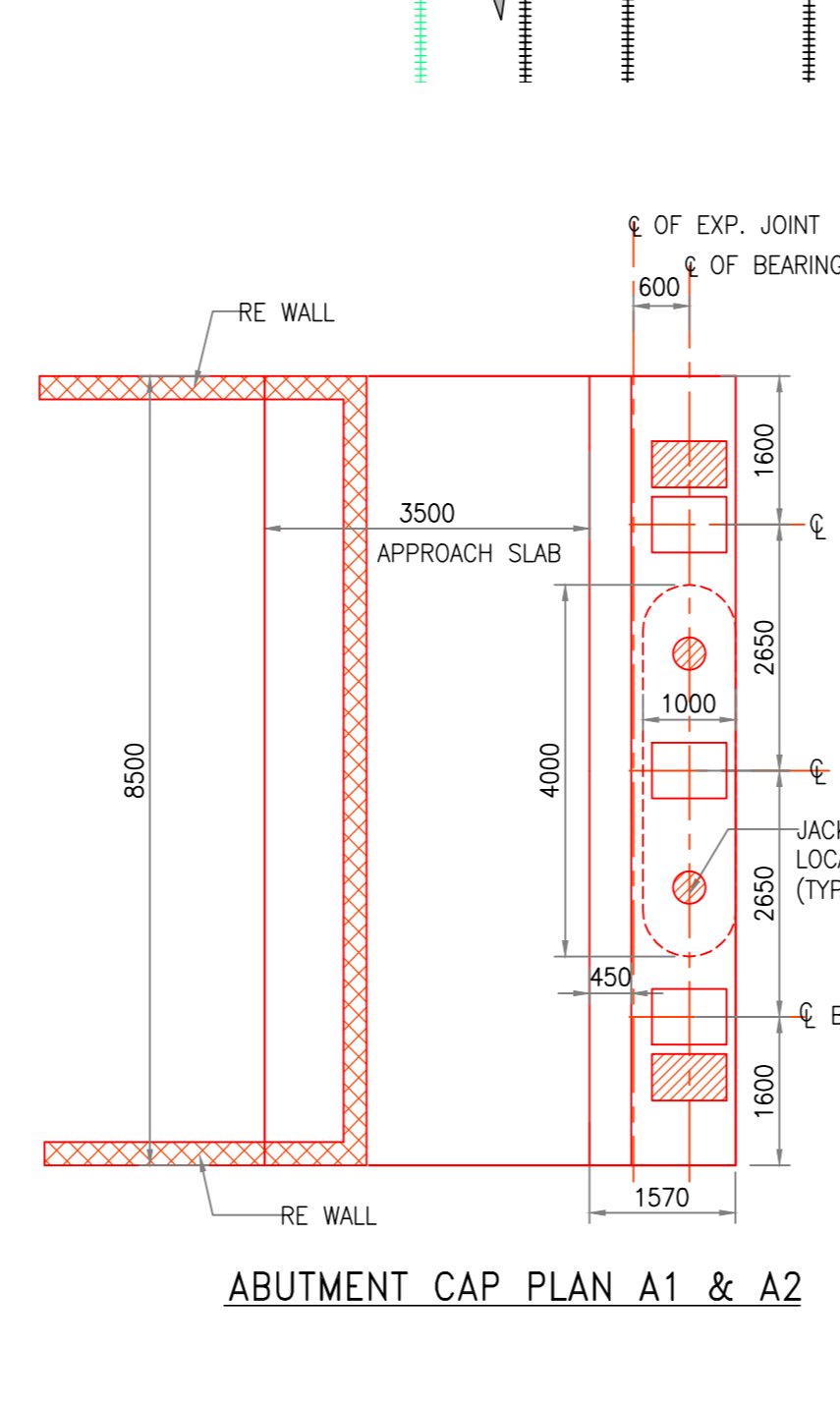
SECTION D-D  
(SCALE 1:100)



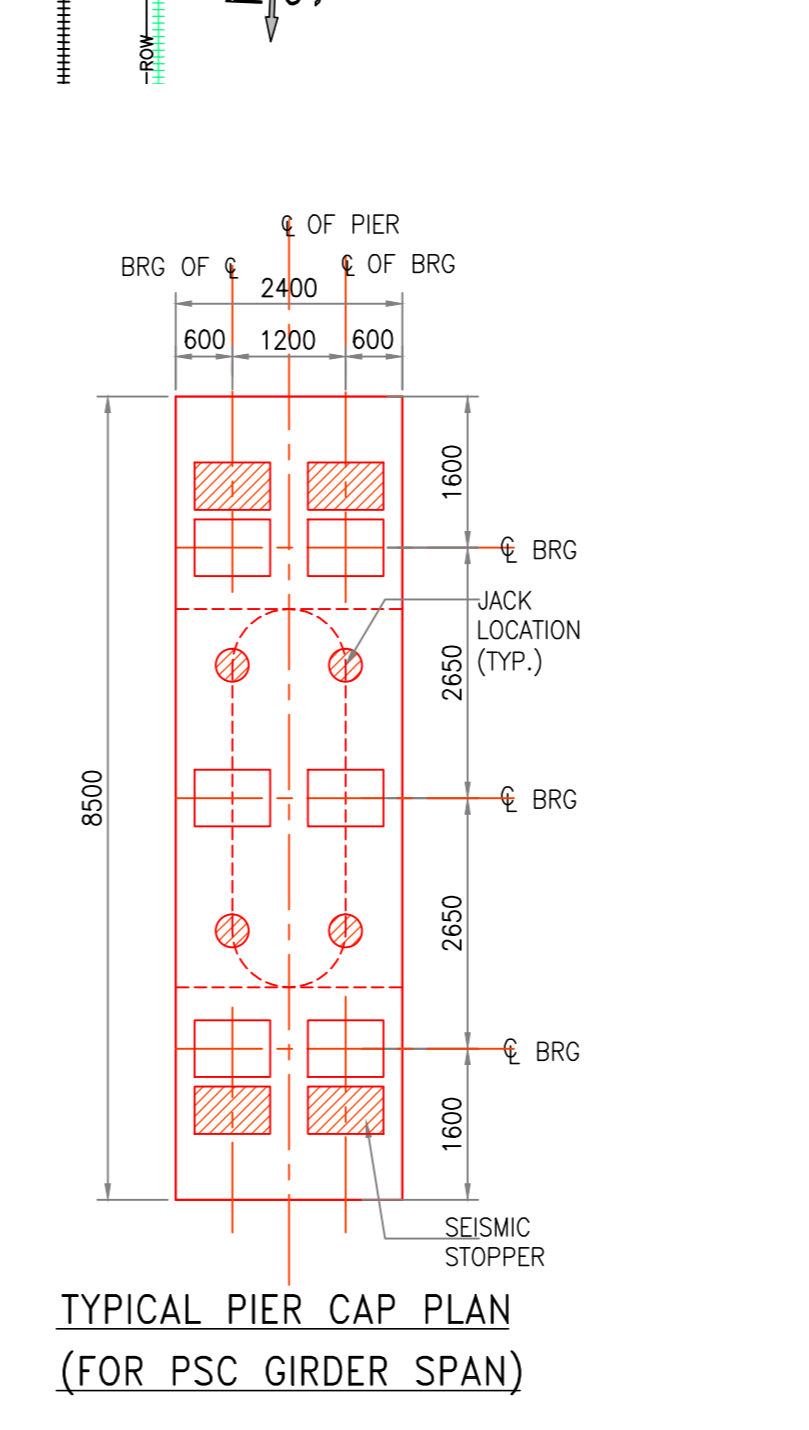
SECTION C-C  
(SCALE 1:100)



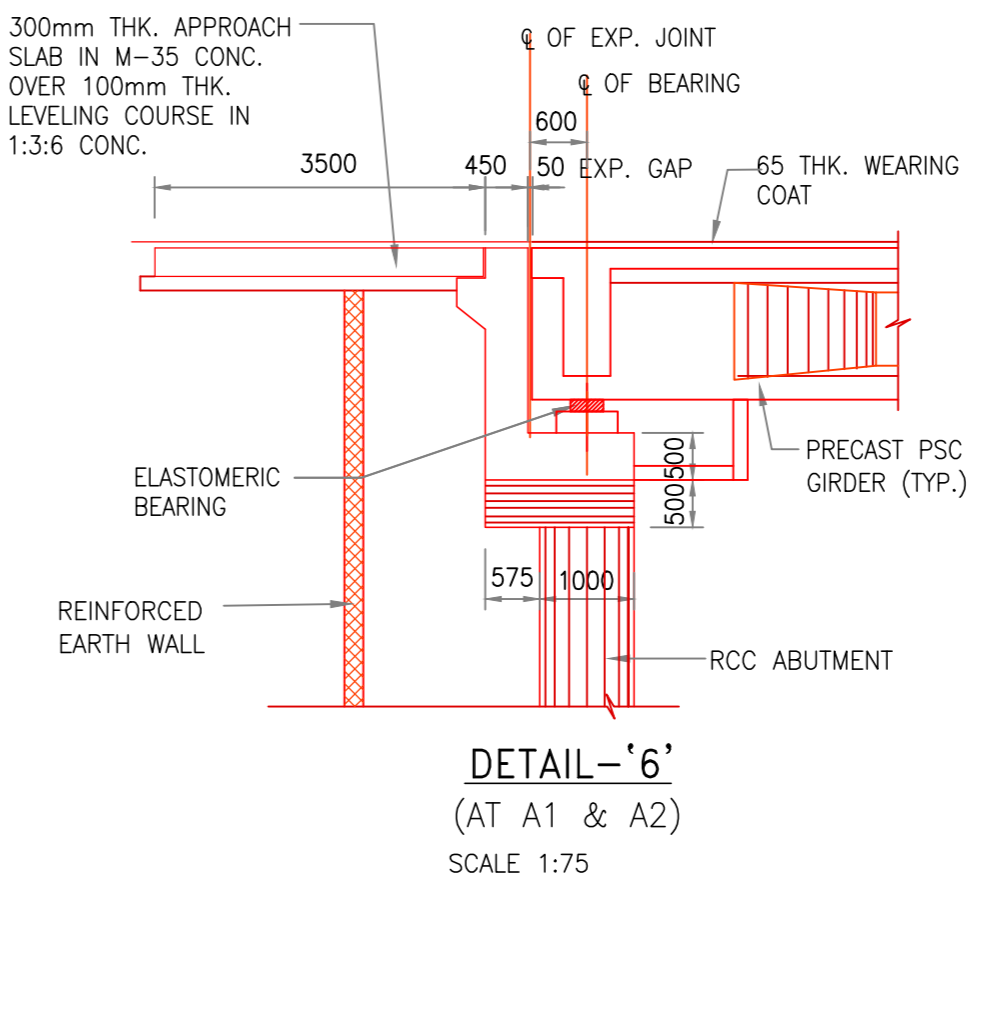
TYPICAL PLAN OF PILE GROUP  
(AT VIADUCT SPAN FOR PIER P1 TO P5, & P10 TO P16)  
(SCALE 1:100)



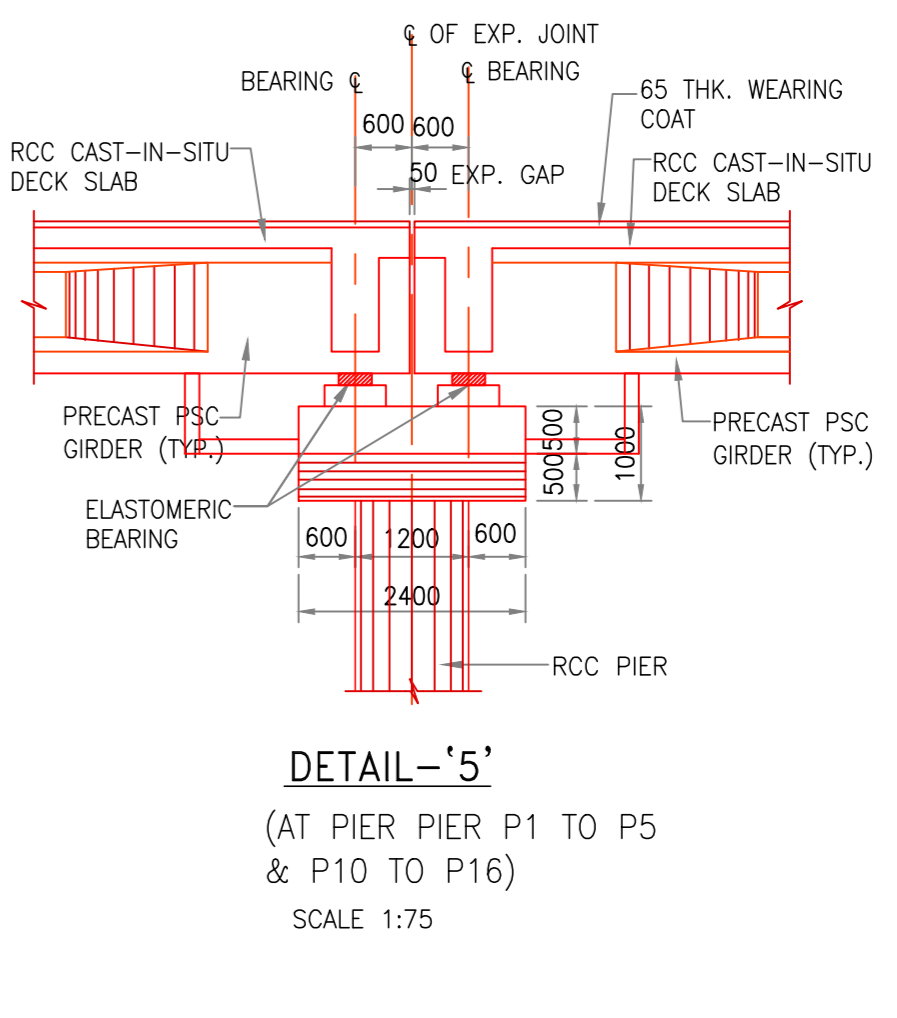
ABUTMENT CAP PLAN A1 & A2



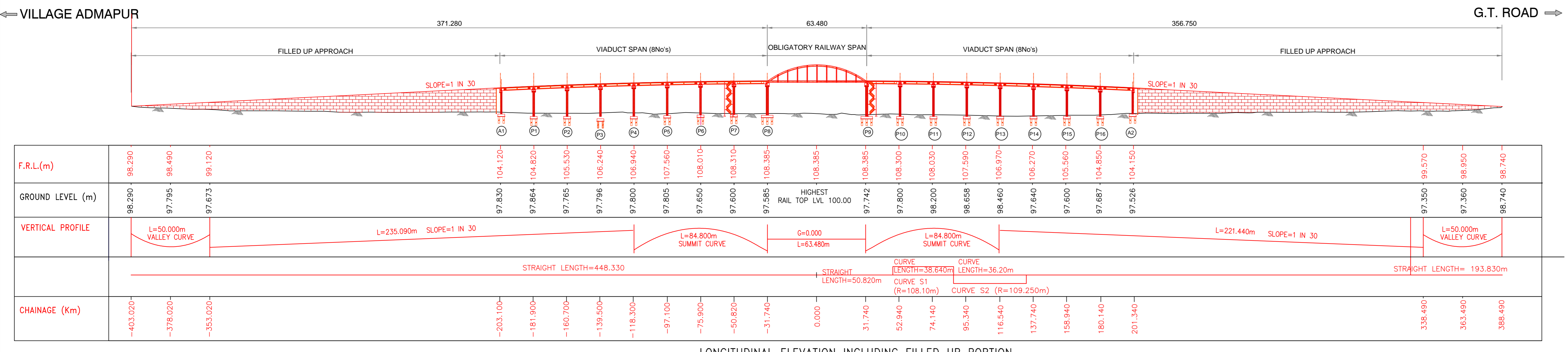
TYPICAL PIER CAP PLAN  
(FOR PSC GIRDER SPAN)



DETAIL -6'  
(AT A1 & A2)  
(SCALE 1:75)



DETAIL -5'  
(AT PIER P1 TO P5  
& P10 TO P16)  
(SCALE 1:75)



LONGITUDINAL ELEVATION INCLUDING FILLED UP PORTION

F.R.L.(m)	98.290	98.490	99.120	97.830	104.120	104.820	105.530	106.240	106.940	107.560	108.010	108.310	108.385	108.385	108.300	108.030	107.590	106.970	106.270	105.560	99.570	98.990	98.740		
GROUND LEVEL (m)	98.290	97.795	97.673	97.830	104.120	104.820	105.530	106.240	106.940	107.560	108.010	108.310	108.385	108.385	108.300	108.030	107.590	106.970	106.270	105.560	99.570	98.990	98.740		
VERTICAL PROFILE	L=50.000m VALLEY CURVE		L=235.090m SLOPE=1 IN 30									L=84.800m SUMMIT CURVE		C=0.000 L=63.480m		L=84.800m SUMMIT CURVE		L=221.440m SLOPE=1 IN 30		L=50.000m VALLEY CURVE					
CHAINAGE (Km)	-403.020	-378.020	-353.020	-203.100	-181.900	-160.700	-139.500	-118.300	-97.100	-75.900	-50.820	-31.740	0.000	31.740	52.940	74.140	95.340	116.540	137.740	158.940	180.140	201.340	338.480	363.480	388.480

DESIGNATION	SIGNATURE	DESIGNATION	SIGNATURE
A.K. MISHRA CPM/DFCCIL		CE RWD PATNA	
RAMSHANKAR BIKSHI DY CPM/ENGG/DFCCIL		EXECUTIVE ENGINEER (RWD-1 WORK DIVISION SASARAM)	
APM/DFM/ENGG/DFCCIL		SUPERINTENDING ENGINEER (RWD-1 WORK DIVISION SASARAM)	
DFCCIL/MGS		STATE GOVT. BIHAR	

DATE	REV. NO.	REVISION

EAST CENTRAL RAILWAY  
MGS DIVISION

**dfccil**  
DEDICATED FREIGHT CORRIDOR CORPORATION OF INDIA LIMITED  
(A GOVERNMENT OF INDIA ENTERPRISE)

PROJECT:  
GAD FOR APPROACH PORTION OF ROB AT LC No. 47  
AT Km 583/5-7

DEALT BY:	DATE:	DRG. NO.	REV.
A.K.GUPTA	15.05.18	PPC/DFCC/ROB/LC47 GAD/01 (Sheet 2 Of 2)	RO

CONSULTANTS:  
PARK PROJECTS CONSULTANCY PVT.LTD.  
NEW DELHI