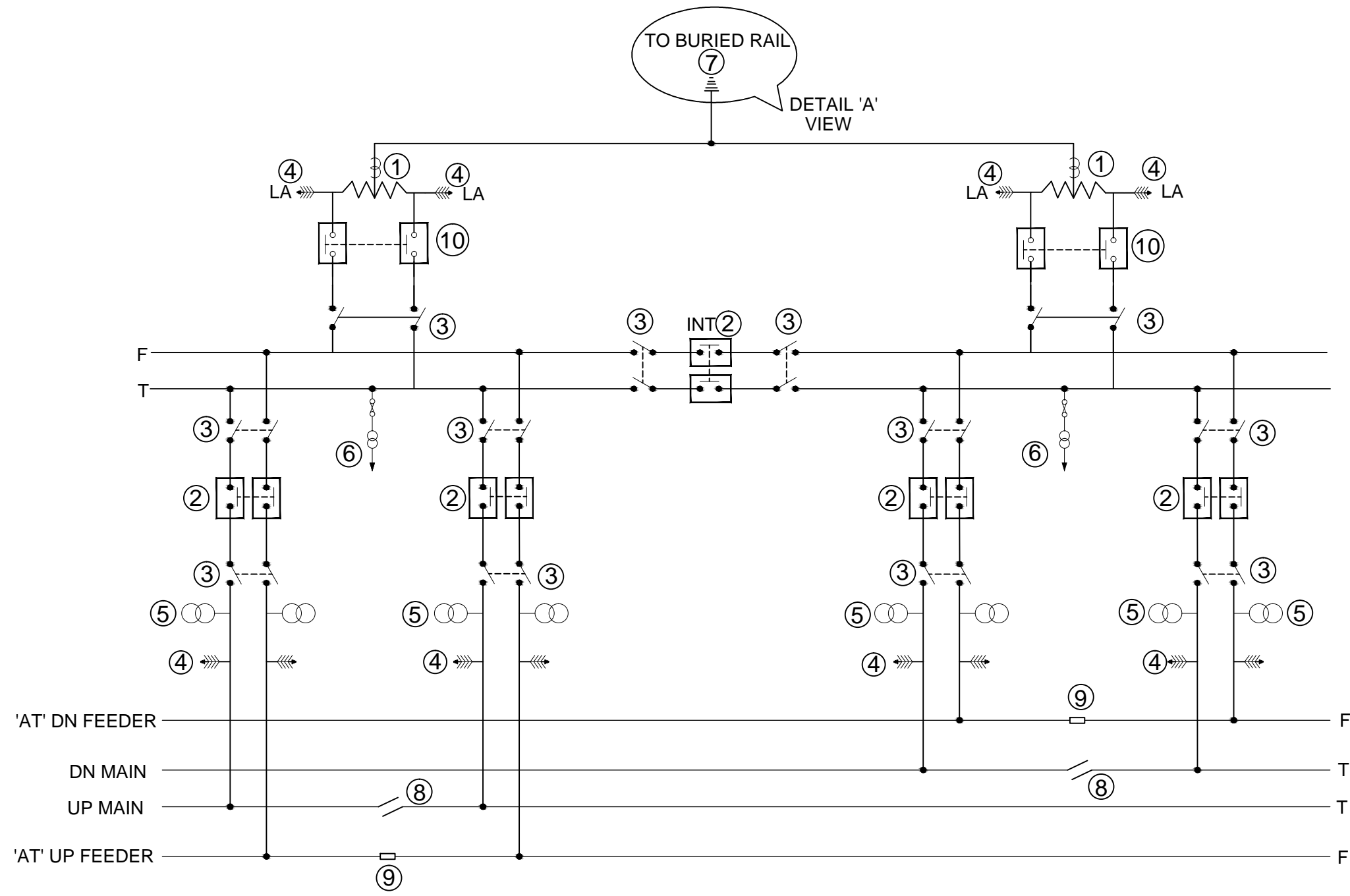
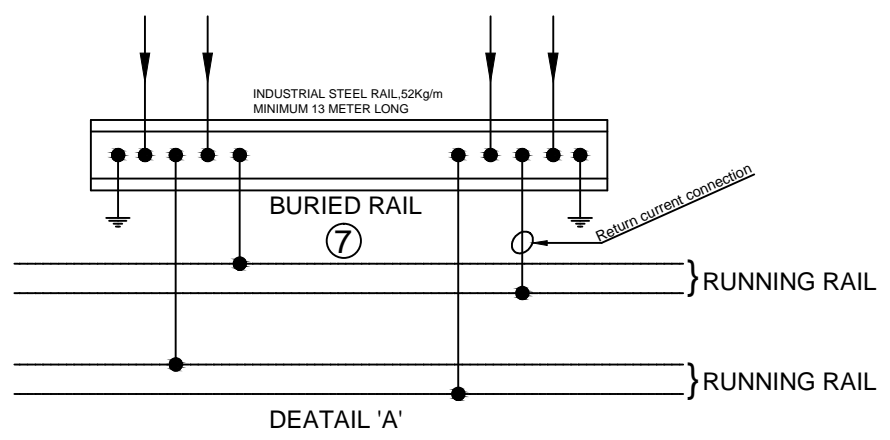


SCHEMATIC DIAGRAM OF 2 x 27 kV SUB-SECTIONING AND PARALLELING POST (SSP)



LEGENDS

S.NO	SYMBOL	DESCRIPTION
1.		AUTO TRANSFORMER WITH BUSHING CT
2.		2 X 25 kV DOUBLE POLE INTERRUPTER
3.		2 X 25 kV DOUBLE POLE ISOLATOR
4.		LIGHTNING ARRESTOR
5.		25/110V POTENTIAL TRANSFORMER
6.		AUXILIARY TRANSFORMER 10 kVA, 25kV/240V WITH DROP OUT FUSE
7.		BURIED RAIL
8.		INSULATED OVERLAP
9.		CUT-IN INSULATOR
10.		2 X 25 kV DOUBLE POLE CIRCUIT BREAKER ALONG WITH PROTECTION CT & PT AS REQUIRED.



NOTES:-

1. The drawing is indicative and shall be read in conjunction with the specifications & relevant standards if any.
2. The bus bar inside the SSP shall be rigid type.
3. All ratings/dimensions are indicative. The contractor shall provide the design as approved by the Engineer.

DEDICATED FREIGHT CORRIDOR CORPORATION OF INDIA LTD.						
GENERAL CONSULTANT	AECOM Asia Co. Ltd. 9TH FLOOR, INFINITY TOWER C DLF CYBER CITY DLF PHASE II GURGAON 122002, INDIA					
EASTERN CORRIDOR						
PROJECT	MUGHAL SARAI TO NEW BHAUPUR FROM CH: 119550 TO CH: 507693					
STRUCTURE	CONTRACT PACKAGE - 204					
TITLE (INDICATIVE) SCHEMATIC DIAGRAM OF 2X27 KV SUB-SECTIONING AND PARALLELING POST (SSP)						
SCALE	DATE	DRAWN BY	CHECKED BY	APPROVED BY	DRG. NO.	REV.
NTS	19-06-2015	K.R.	A.D.	S.S.	GC/DFCC/PS/SSP/SCH/TYP/301	01