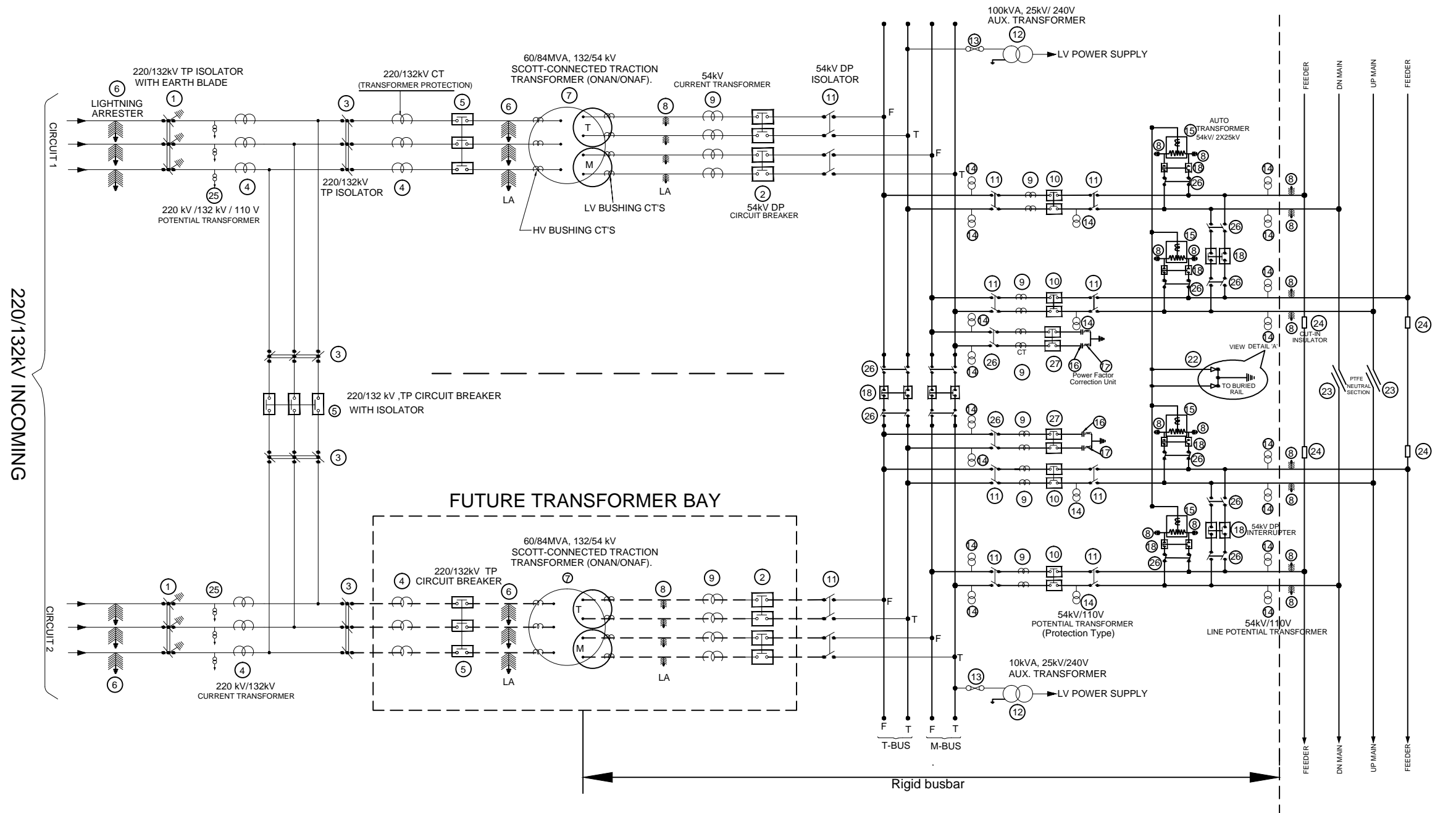
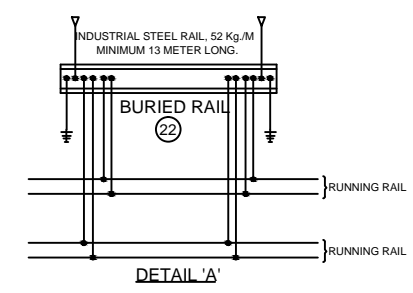


# SCHEMATIC DIAGRAM OF 220 /132 /54 kV TRACTION SUBSTATION

(WITH ONE TRANSFORMER SCOTT CONNECTED AND EARMARKED SPACE FOR FUTURE EXTENSION)



LEGENDS		
REF. NO.	DESCRIPTION	SYMBOL
1	220/132 kV TRIPLE POLE ISOLATOR WITH EARTH BLADE	
2	54 kV DOUBLE POLE CIRCUIT BREAKER(Transformer Bay)	
3	220/132 kV TRIPLE POLE ISOLATOR	
4	220/132 kV CURRENT TRANSFORMER	
5	220/132 kV, TRIPLE POLE CIRCUIT BREAKER	
6	LIGHTNING ARRESTER	
7	132/54kV, 60/84 MVA SCOTT-CONNECTED TRACTION TRANSFORMER WITH BUSHING CT'S.	
8	LIGHTNING ARRESTER	
9	54 kV, CURRENT TRANSFORMER	
10	54 kV DOUBLE POLE CIRCUIT BREAKER	
11	54 kV DOUBLE POLE ISOLATOR	
12	AUXILIARY TRANSFORMER	
13	DROP OUT FUSE SWITCH	
14	54 kV/110V POTENTIAL TRANSFORMER	
15	AUTO TRANSFORMER (54kV / 2 X 25 kV)	
16	54 kV Power Factor Correction Unit-I	
17	54 kV Power Factor Correction Unit-II	
18	54 kV DOUBLE POLE INTERRUPTER (VACUUM / SF6)	
23	PTFE NEUTRAL SECTION	
24	CUT-IN INSULATOR	
25	220/132kV/110 V POTENTIAL TRANSFORMER	
26	54 kV DOUBLE POLE ISOLATOR(Line Feeder)	
27	54 kV DOUBLE POLE CIRCUIT BREAKER( for capacitor bank)	



**NOTES:-**

- The drawing is indicative and shall be read in conjunction with the specifications & relevant standards if any.
- All ratings/dimensions are indicative. The contractor shall provide the design as approved by the Engineer.

Sheet No: 1/2

<b>DEDICATED FREIGHT CORRIDOR CORPORATION OF INDIA LTD.</b>						
GENERAL CONSULTANT						
AECOM Asia Co. Ltd. 9TH FLOOR, INFINITY TOWER C DLF CYBER CITY DLF PHASE II GURGAON 122002, INDIA						
<b>EASTERN CORRIDOR</b>						
PROJECT	MUGHAL SARAI TO NEW BHAUPUR FROM CH: 119550 TO CH: 507693					
STRUCTURE	CONTRACT PACKAGE - 204					
TITLE (INDICATIVE) SCHEMATIC DIAGRAM OF 220/132/54 kV TRACTION SUB-STATION						
SCALE	DATE	DRAWN BY	CHECKED BY	APPROVED BY	DRG. NO.	REV.
NTS	19-06-2015	K.R.	A.D.	S.S.	GC/DFCC/PS/TSS/SCH/TYP/101	01