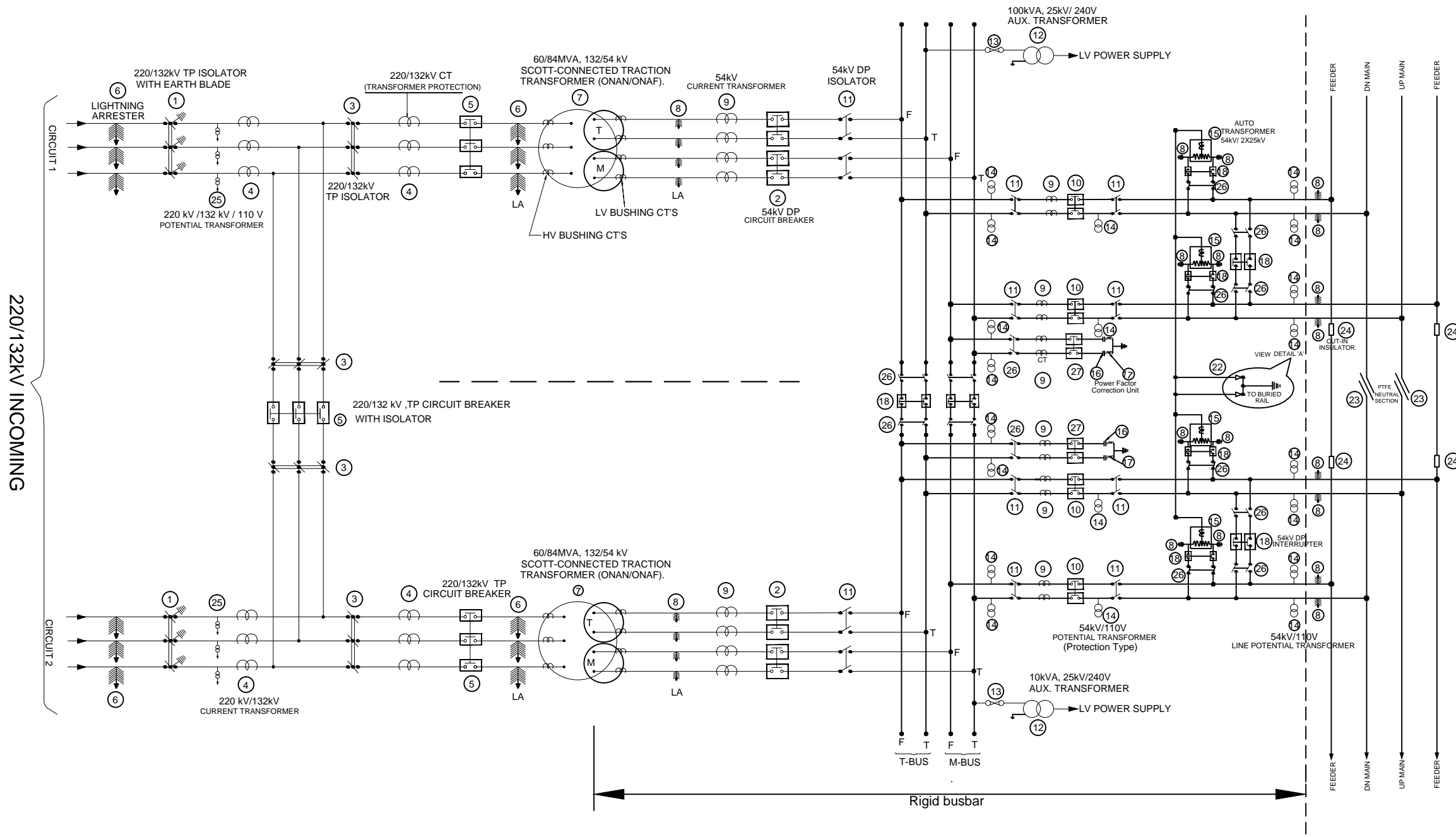
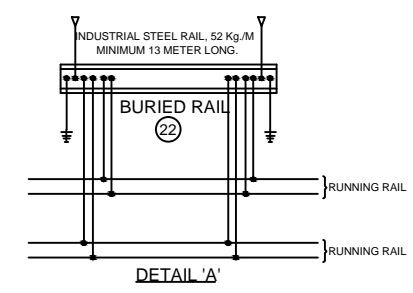


SCHEMATIC DIAGRAM OF 220 /132 /54 kV TRACTION SUBSTATION (WITH TWO TRANSFORMERS SCOTT CONNECTED)



LEGENDS		
REF. NO.	DESCRIPTION	SYMBOL
1	220/132 kV TRIPLE POLE ISOLATOR WITH EARTH BLADE	
2	54 kV DOUBLE POLE CIRCUIT BREAKER (Transformer Bay)	
3	220/132 kV TRIPLE POLE ISOLATOR	
4	220/132 kV CURRENT TRANSFORMER	
5	220/132 kV, TRIPLE POLE CIRCUIT BREAKER	
6	LIGHTNING ARRESTER	
7	132/54 kV, 60/84 MVA SCOTT-CONNECTED TRACTION TRANSFORMER WITH BUSHING CT'S.	
8	LIGHTNING ARRESTER	
9	54 kV, CURRENT TRANSFORMER	
10	54 kV DOUBLE POLE CIRCUIT BREAKER	
11	54 kV DOUBLE POLE ISOLATOR	
12	AUXILIARY TRANSFORMER	
13	DROP OUT FUSE SWITCH	
14	54 kV/110V POTENTIAL TRANSFORMER	
15	AUTO TRANSFORMER (54kV / 2 X 25 kV)	
16	54 kV Power Factor Correction Unit-I	
17	54 kV Power Factor Correction Unit-II	
18	54 kV DOUBLE POLE INTERRUPTER (VACUUM / SF6)	
23	PTFE NEUTRAL SECTION	
24	CUT-IN INSULATOR	
25	220/132kV/110 V POTENTIAL TRANSFORMER	
26	54 kV DOUBLE POLE ISOLATOR (Line Feeder)	
27	54 kV DOUBLE POLE CIRCUIT BREAKER (for capacitor bank)	



NOTES:-
 1. The drawing is indicative and shall be read in conjunction with the specifications & relevant standards if any.
 2. All ratings/dimensions are indicative. The contractor shall provide the design as approved by the Engineer.

DEDICATED FREIGHT CORRIDOR CORPORATION OF INDIA LTD.						
GENERAL CONSULTANT						
AECOM Asia Co. Ltd. 9TH FLOOR, INFINITY TOWER C DLF CYBER CITY DLF PHASE II GURGAON 122002, INDIA						
EASTERN CORRIDOR						
PROJECT	MUGHAL SARAI TO NEW BHAUPUR FROM CH: 119550 TO CH: 507693					
STRUCTURE	CONTRACT PACKAGE - 204					
TITLE (INDICATIVE) SCHEMATIC DIAGRAM OF 220/132/54 kV TRACTION SUB-STATION						
SCALE	DATE	DRAWN BY	CHECKED BY	APPROVED BY	DRG. NO.	REV.
NTS	19-06-2015	K.R.	A.D.	S.S.	GC/DFCC/PS/TSS/SCH/TYP/101	01